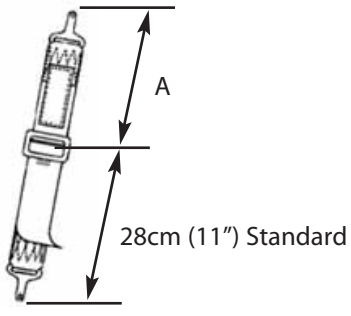
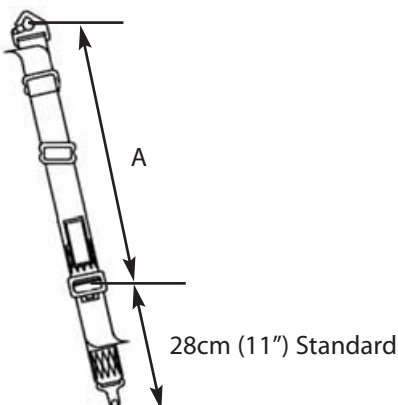

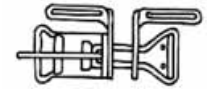
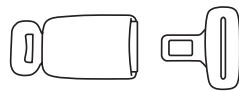


TRRS harness specification sheet

Special order conditions apply.

Please complete the form, sign it and fax it to: +49 (0)2271 45440

Date:			Internal use						
Dealer Name:			Code: <input type="text"/> <input type="text"/> <input type="text"/> <input type="text"/> <input type="text"/> <input type="text"/> <input type="text"/> <input type="text"/> - <input type="text"/> <input type="text"/> <input type="text"/> <input type="text"/>						
Customer Name:			Description:						
Contact No. in case of query (Daytime):									
F.I.A Approved <input type="checkbox"/>	SFI Approved <input type="checkbox"/>		E Approved <input type="checkbox"/>						
Number of Harnesses Required:			Measurements in:		<input type="checkbox"/> mm		<input type="checkbox"/> Inches		
Colour: <input type="checkbox"/> Red	<input type="checkbox"/> Blue	<input type="checkbox"/> Black	<input type="checkbox"/> Yellow	<input type="checkbox"/> Green	<input type="checkbox"/> Purple	<input type="checkbox"/> Silver			
Make of Vehicle:			Type:			Year:			

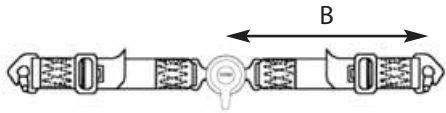
						<input type="checkbox"/> Rotary (Aircraft) Buckle			
<input type="checkbox"/> Single Seater Type		<input type="checkbox"/> Two Seat kit Car		<input type="checkbox"/> Saloon Type				<input type="checkbox"/> Lever Latch & Link	
						<input type="checkbox"/> Push Button			

Shoulder Straps - measurements should be taken with driver seated in vehicle

Webbing Width: 75mm (3") 50mm (2")

Length: (Measure distance "A" from centre of anchor mounting tongue to centre of adjuster)

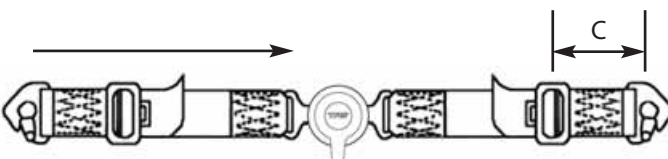
Lap Straps - measurements should be taken with driver seated in vehicle

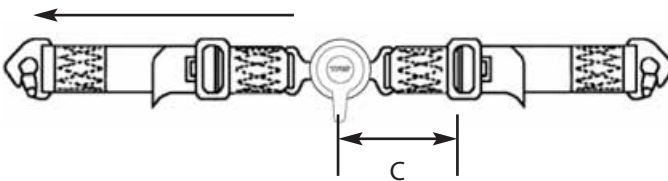


Webbing Width: 75mm (3") 50mm (2")

Length: (Measure distance "B" from centre of anchor mounting to centre of release buckle)

Direction of Lap Strap Adjustment

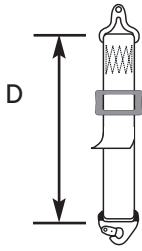
Pull Up  standard

Pull Down 

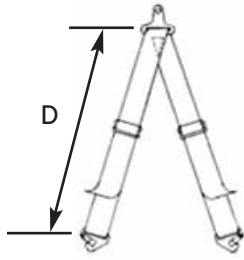
Length C: Standard length of dimension 'C' Pull Up or Pull Down is 6" (15cm) Centres

Crotch Strap - Measurements should be taken with driver seated in vehicle

Single point crutch



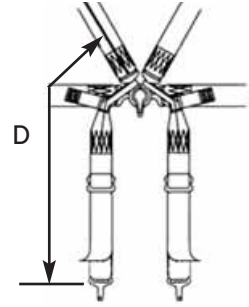
V crutch



2 point crutch



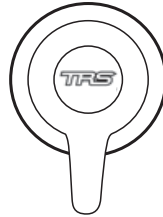
Single seater crutch



Length D: (Measure Distance "D")

Rotary Buckle Permanently Fixed To:

Right Hand Lap Strap
(Std for single seater or 4pt saloon)



Left Hand Lap Strap

Crotch Strap
(Std for 5py/6pt saloon)

Anchorage (Mark appropriate box to identify requirement)

Snap Hook	Bolt Fixing Type A	Wrap Around	Looped & Sewn	Pinched Becket	Bolt Fixing Type B	Pinch Plates	Open End	Carabina	
	 Please state hole diameter: 8 mm (5/16") or 9 mm (3/8")	 If using this type of mounting provision must be made to prevent lateral movement	 Please state loop diameter in CM	 Please state loop diameter in CM	 Please state hole diameter: 12 mm (1/2 inch)	 Please state hole diameter: 8 mm (5/16") or 9 mm (3/8")			
									Shoulder Straps
									Lap Straps
									Crotch Straps

Adjuster Types & Extras (Mark appropriate box)

3 Bar Locker	Standard 50mm (2") Adjuster	75mm (3") Steel Adjuster	75mm (3") Aluminium Alloy Adjuster	Velcro Shoulder Straps	
					Shoulder Straps
					Lap Straps
					Crotch Straps

Notes: